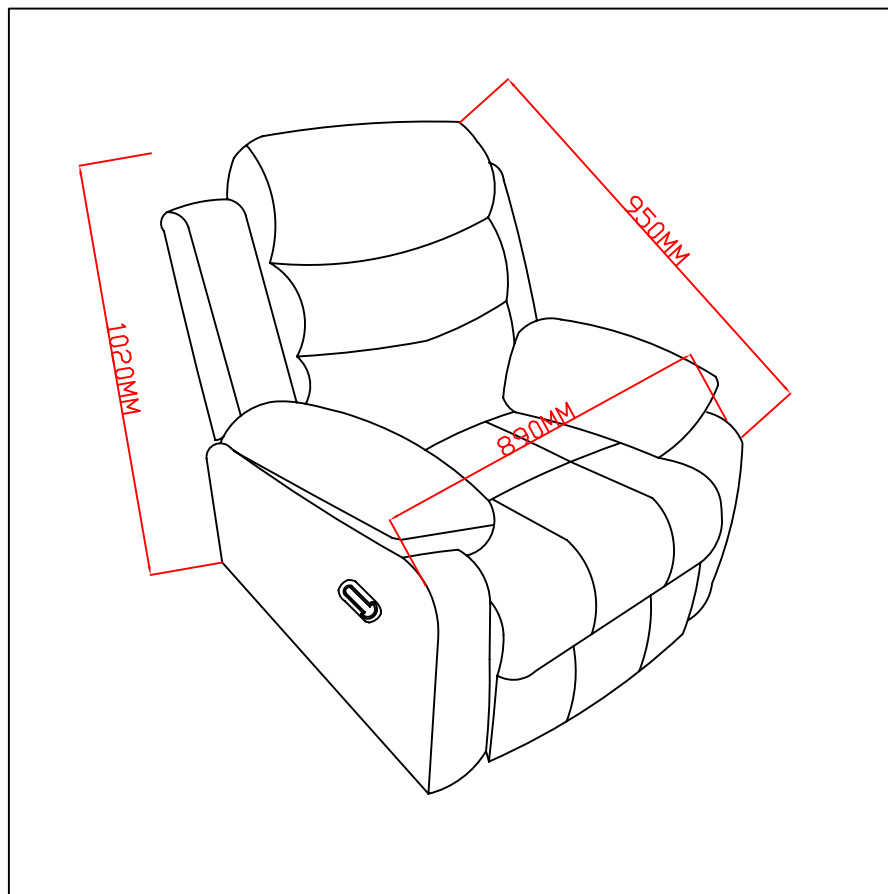




ASSEMBLY INSTRUCTION
PRESCOTT RECLINER
ITEM CODE 64949

Imported by Amart furniture Pty Ltd, Qld, Brisbane Australia.
For any assistance with assembly or for missing parts please phone
Amart furniture, Customer Service Free call 1800 351 084

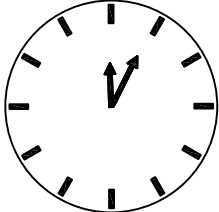
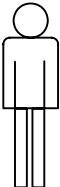


Imported by Amart Furniture Pty Ltd, Qld, Brisbane
Australia. For any assistance with assembly or for missing
parts please phone Amart Furniture, Customer Service
Free Call 1800 351 084

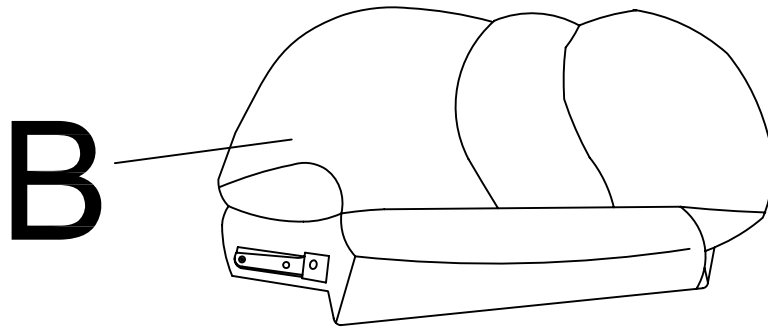
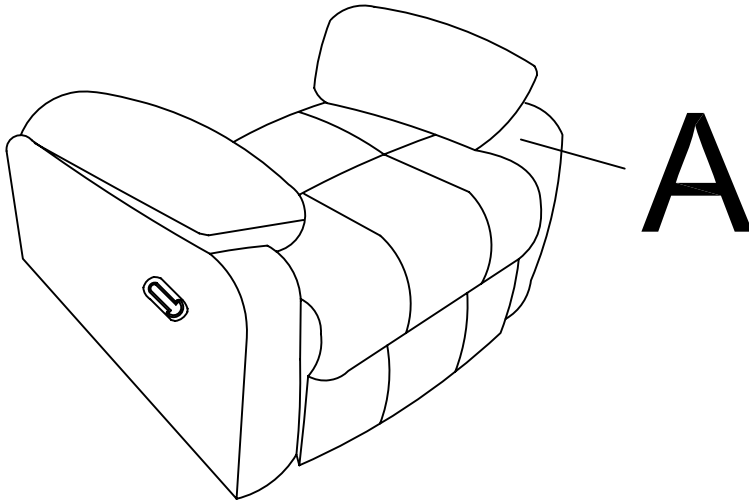
PRE-ASSEMBLY PREPARATION

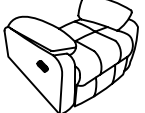

Before you start:

1. Choose a clean, level, spacious assembly area. Avoid hard surfaces that may damage the product
2. Take care when lifting. Product be assembled as near as possible to the point of use
3. Ensure that you have all required contents for complete assembly
4. Always read the assembly instructions carefully before beginning assembly
5. Keep all hardware parts and packaging out of small children
6. Do not over tighten the screws and bolts as this may damage the threads

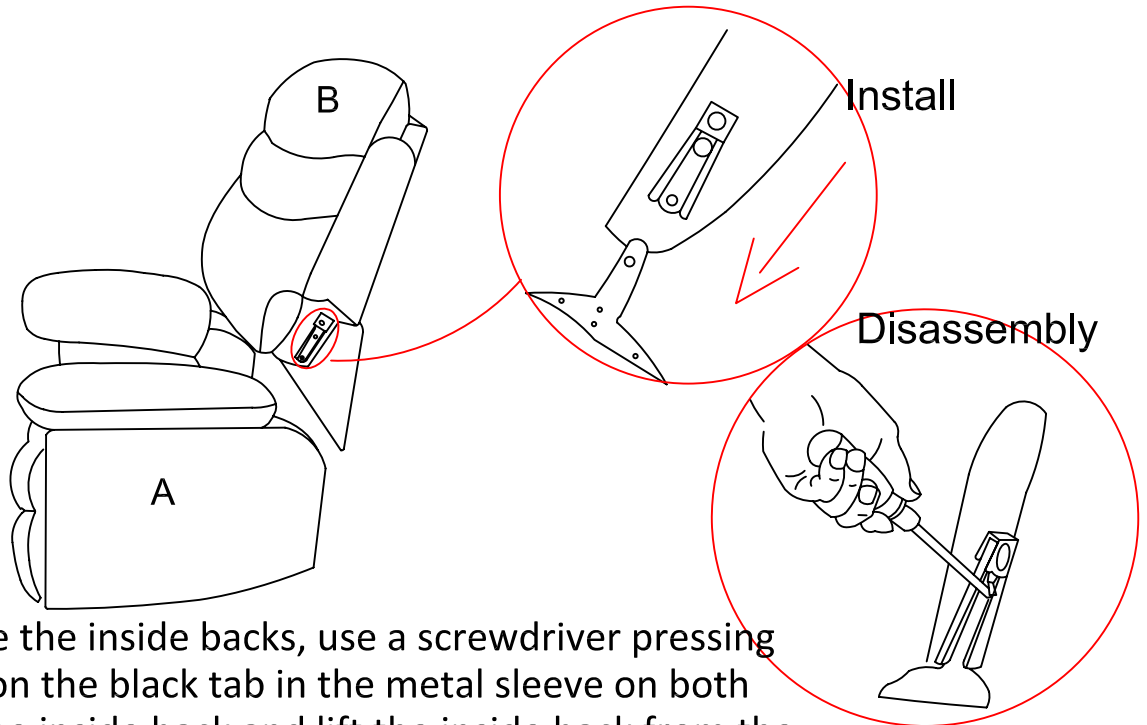
	
ALLOW 5 MINUTES	2 PEOPLE REQUIRED

PARTS LIST



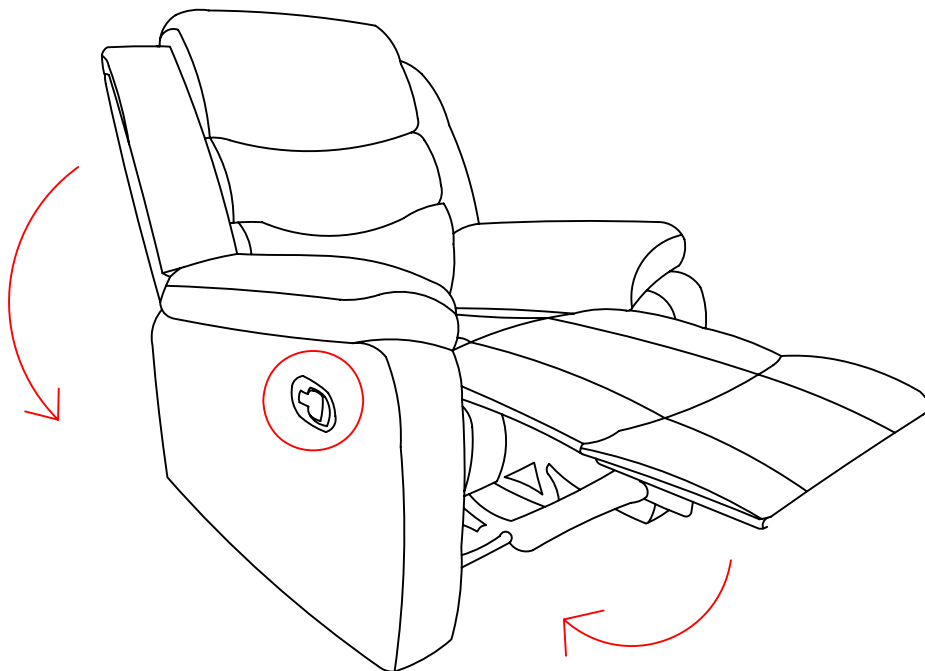
A.1PC  Seat	B.1PC  Backrest
------------------------------------------------------------------------------------------------------	----------------------------------------------------------------------------------------------------------

STEP 1 slide inside back receivers into the steel mechanism posts in the base of the furniture. press both sides of the inside back firmly into place. the inside back automatically locks in place.

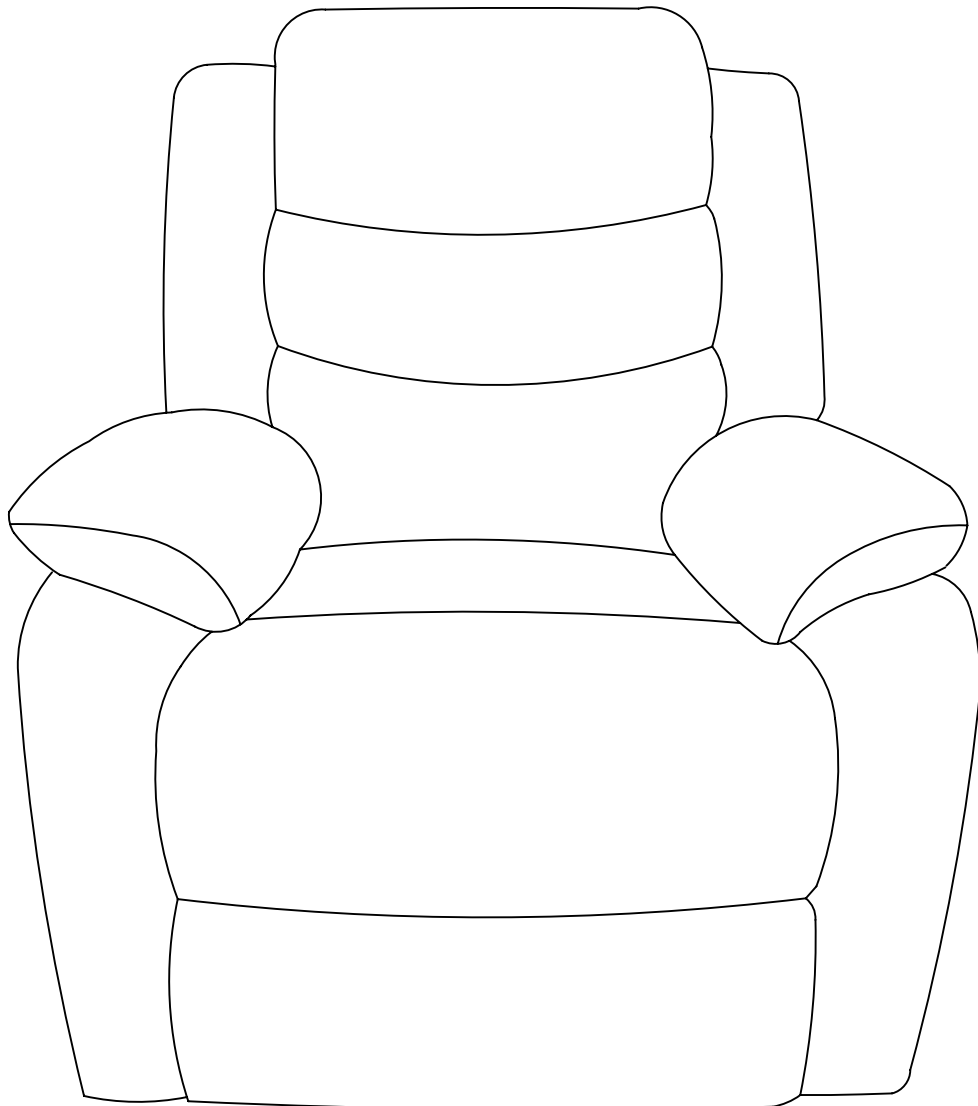


to remove the inside backs, use a screwdriver pressing outward on the black tab in the metal sleeve on both sides of the inside back and lift the inside back from the base of the furniture

STEP 2



ASSEMBLY IS COMPLETE



CARE AND MAINTENANCE

FABRIC CARE

REGULAR CARE: PROTECT FROM DIRECT SUNLIGHT. VACUUM REGULARLY USING LOW SUCTION. ROTATE REVERSIBLE CUSHIONS REGULARLY.

CLEANING:

DO NOT REMOVE CUSHION COVERS FOR SEPARATE CLEANING EVEN THOUGH THEY HAVE ZIPPERS.

DO NOT WASH

DO NOT DRY CLEAN

DO NOT SHAMPOO

CLEAN CLEAN WITH HOT-WATER EXTRACTION MACHINE. (HOT) PROFESSIONAL CLEANING RECOMMENDED

DO NOT USE DISHWASHING OR LAUNDRY DETERGENTS

USE ONLY UPHOLSTERY DETERGENTS

DO NOT WET FILLING

DRY IN SHADE AWAY FROM DIRECT HEAT AND SUNLIGHT ALLOW TO DRY THOROUGHLY BEFORE RE-USE

SPOT CLEANING:

DO NOT RUB

DO NOT SPOT CLEAN WITH ANY SOLVENT.

TREAT SPILLS AND STAINS AS SOON AS POSSIBLE.

GENTLY SCRAPE ANY SOIL OR MOP ANY LIQUID

FROM THE SURFACE OF THE FABRIC.

APPLY PROPRIETARY CLEANING AGENTS STRICTLY ACCORDING TO INSTRUCTIONS TO REMOVE THE RESIDUE OF THE SPILL.

DO NOT SATURATE THE FABRIC OR INTERIOR WITH WATER OR OTHER CLEANING LIQUIDS.

WARNING: APPLY ONLY WATER-BASED SOIL RESIST (FABRIC PROTECTION) TREATMENTS. DO NOT USE AEROSOL PRODUCTS.